

# SPE-T1-M8FSF/2,0-97B/M8FSF - Network cable



1217530

<https://www.phoenixcontact.com/us/products/1217530>

Please be informed that the data shown in this PDF document is generated from our online catalog. Please find the complete data in the user documentation. Our general terms of use for downloads are valid.



Network cable, Single Pair Ethernet CAT A (10 Mbps), 2-position, shielded (Advanced Shielding Technology), Socket straight M8-SPE / IP67, on Socket straight M8-SPE / IP67, cable length: 2 m

## Product description

Single Pair Ethernet M8 patch cable

## Your advantages

- Future-proof: standardized connectors in accordance with IEC 63171-5 (IP67)
- Easily integrated: Male and female versions for established inductive sensors and flying leads
- Efficient: Device connectors for SMD, THR, and wave soldering processes enable automated processing
- Straightforward servicing: M8 connectors are compatible with IP20 connectors for SPE
- Safely shielded: patch cables with Advanced Shielding Technology

## Commercial data

Item number	1217530
Packing unit	1 pc
Minimum order quantity	1 pc
Note	Made to order (non-returnable)
Sales key	BF02
Product key	BF1BJI
GTIN	4063151298890
Weight per piece (including packing)	94.2 g
Weight per piece (excluding packing)	22.22 g
Customs tariff number	85444290
Country of origin	PL

# SPE-T1-M8FSF/2,0-97B/M8FSF - Network cable



1217530

<https://www.phoenixcontact.com/us/products/1217530>

## Technical data

### Product properties

Product type	Data cable preassembled
Sensor type	Single Pair Ethernet
Number of positions	2
Application	Standard
No. of cable outlets	1
Shielded	yes

### Insulation characteristics

Overvoltage category	I
----------------------	---

### Interfaces

Bus system	Ethernet
Signal type/category	Single Pair Ethernet CAT A (ISO/IEC 63171), 10 Mbps

### Signaling

Status display	No
Status display present	No

### Electrical properties

Nominal voltage $U_N$	72 V DC
Transmission medium	Copper

### Material specifications

Flammability rating according to UL 94	V0
--	----

### Connection data

#### Pin assignment

Contact   Color (signal designation)   Contact (optional)	1   WH (RX/TX+)   1
	2   BU (RX/TX-)   2

### Connector

#### Connection 1

Type	Socket straight M8-SPE / IP67
Shielded	yes
Insertion/withdrawal cycles	≤ 100
Degree of protection	IP67
Ambient temperature (operation)	-25 °C ... 85 °C

#### Connection 2

Type	Socket straight M8-SPE / IP67
Shielded	yes

# SPE-T1-M8FSF/2,0-97B/M8FSF - Network cable



1217530

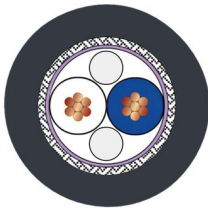
<https://www.phoenixcontact.com/us/products/1217530>

Insertion/withdrawal cycles	≤ 100
Degree of protection	IP67
Ambient temperature (operation)	-25 °C ... 85 °C

## Cable/line

Cable length	2 m
--------------	-----

Single Pair Ethernet PUR flexible, black [97B]

Dimensional drawing	
UL AWM Style	2095 (80°C/300 V)
Number of positions	2
Shielded	yes
Cable type	Single Pair Ethernet PUR flexible, black [97B]
Conductor structure	1 x 2 x AWG 22/7, S/FTP
Conductor structure signal line	7x
AWG signal line	22
Conductor cross section	2x 0.34 mm <sup>2</sup>
Wire diameter incl. insulation	1.65 mm
External cable diameter	5.1 mm ±0.2 mm
Outer sheath, material	PVC
External sheath, color	black
Conductor material	Tin-plated Cu litz wires
Material wire insulation	Foamed PE
Single wire, color	white, blue
Thickness, outer sheath	0.55 mm
Twisted pairs	2 cores to the pair
Overall twist	1 pair with fillers twisted horizontally
Optical shield covering	80 %
Max. conductor resistance	≤ 59.4 Ω/km
Insulation resistance	≥ 5 GΩ*km
Wave impedance	100 Ω ±15 Ω (at 20 MHz)
Nominal voltage, cable	300 V
Minimum bending radius, fixed installation	4 x D
Smallest bending radius, fixed installation	21 mm
Flame resistance	According to FT-2
Ambient temperature (operation)	-20 °C ... 80 °C (cable, fixed installation)

# SPE-T1-M8FSF/2,0-97B/M8FSF - Network cable



1217530

<https://www.phoenixcontact.com/us/products/1217530>

## Environmental and real-life conditions

### Ambient conditions

Degree of protection	IP65
	IP67

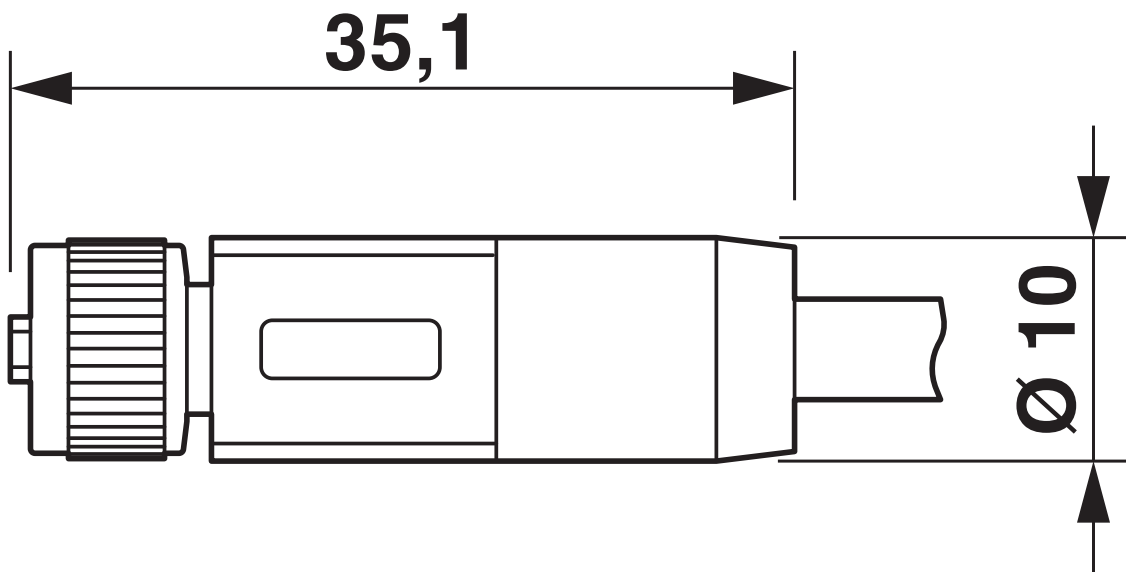
## Standards and regulations

### M8

Standard designation	M8 connector
Standards/specifications	IEC 63171-5
Note	T1-SPE

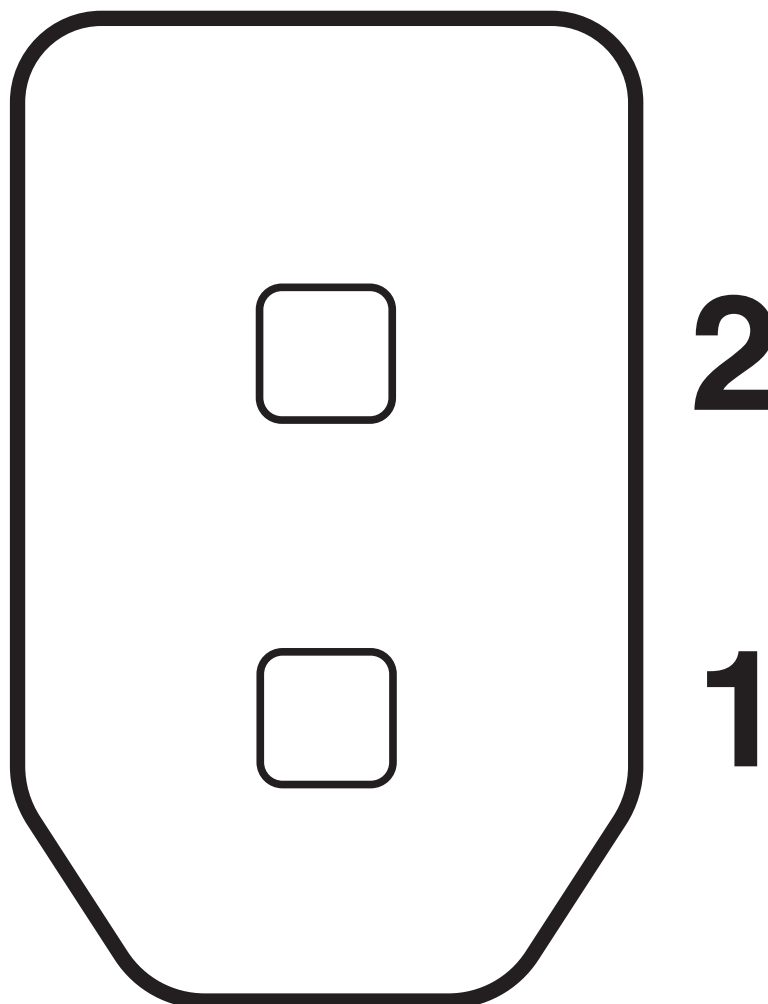
Drawings

Dimensional drawing



Socket M8 x 1, straight

Schematic diagram



Pin assignment, Single Pair Ethernet, 2 pos.

# SPE-T1-M8FSF/2,0-97B/M8FSF - Network cable



1217530

<https://www.phoenixcontact.com/us/products/1217530>

## Classifications

### ECLASS

ECLASS-11.0	27060307
ECLASS-12.0	27060307
ECLASS-13.0	27060307

### ETIM

ETIM 9.0	EC001855
----------	----------

### UNSPSC

UNSPSC 21.0	26121600
-------------	----------

# SPE-T1-M8FSF/2,0-97B/M8FSF - Network cable



1217530

<https://www.phoenixcontact.com/us/products/1217530>

## Environmental product compliance

China RoHS	Environmentally friendly use period: unlimited = EFUP-e No hazardous substances above threshold values
------------	---

Phoenix Contact 2024 © - all rights reserved  
<https://www.phoenixcontact.com>

Phoenix Contact USA  
586 Fulling Mill Road  
Middletown, PA 17057, United States  
(+717) 944-1300  
[info@phoenixcon.com](mailto:info@phoenixcon.com)